



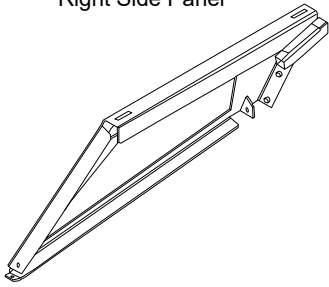
RS-13011

400-0857-003

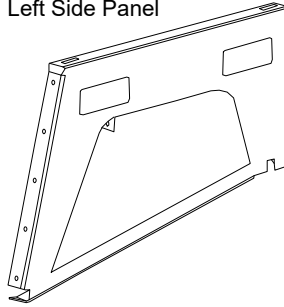
PORTABLE STAND FOR HOSE ROLLERS OR RELOADERS.

PARTS LIST

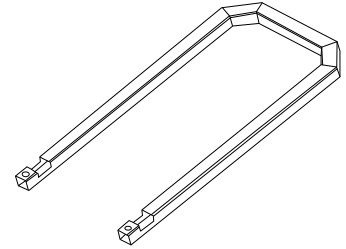
Right Side Panel



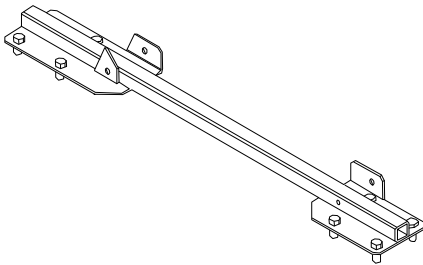
Left Side Panel



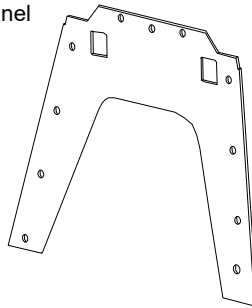
Handle



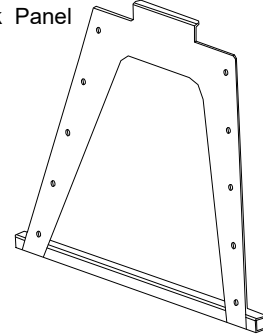
Front Wheels Support



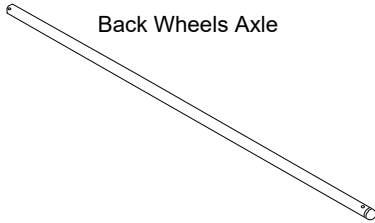
Front Panel



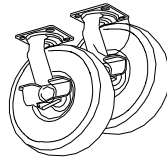
Back Panel



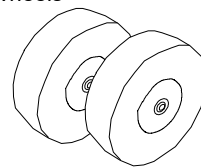
Back Wheels Axle



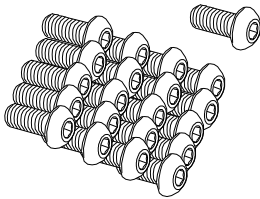
2pcs Front Wheels with Brakes



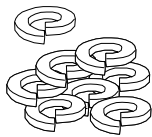
2pcs Back Wheels



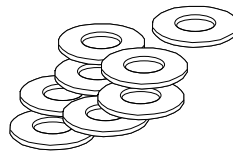
20 pcs 5/16 x3/4" Button Head Screws



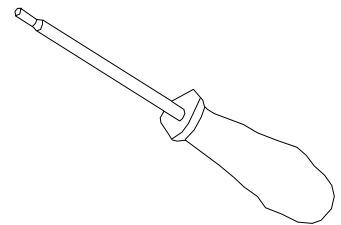
8 pcs Split Lock Washer, 3/8" Screw size



8 pcs Washer for 3/8" Screw



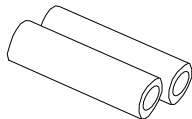
3/16 Allen Hex Screwdriver



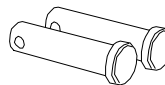
2 pcs 5/16 x1/4" Button Head Screws



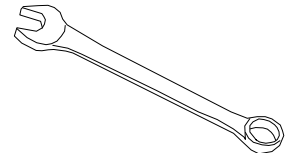
2 pcs Back Wheels Axle Bushing



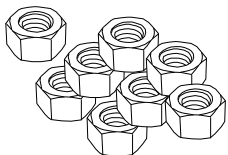
2 pcs 3/8 x 1-1/2" Clevis Pin



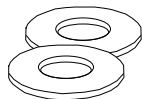
9/16 Wrench



8 pcs 3/8"-16 Nut



2 pcs Wheel washer



4 pcs 5/32 x 1 Cotter Pin



2 pcs Quick Release Pins





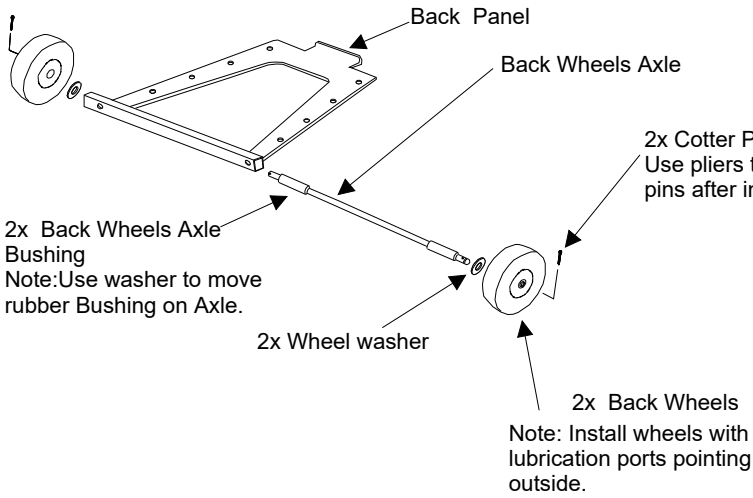
RS-13011

400-0857-003

PORTABLE STAND FOR HOSE ROLLERS OR RELOADERS.

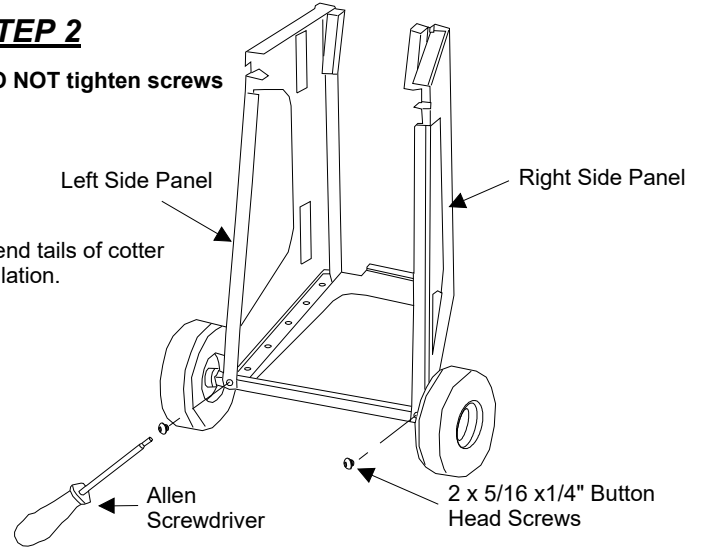
ASSEMBLY INSTRUCTIONS

STEP 1



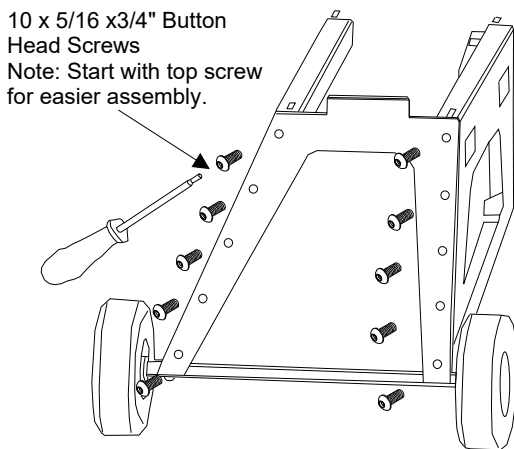
STEP 2

DO NOT tighten screws



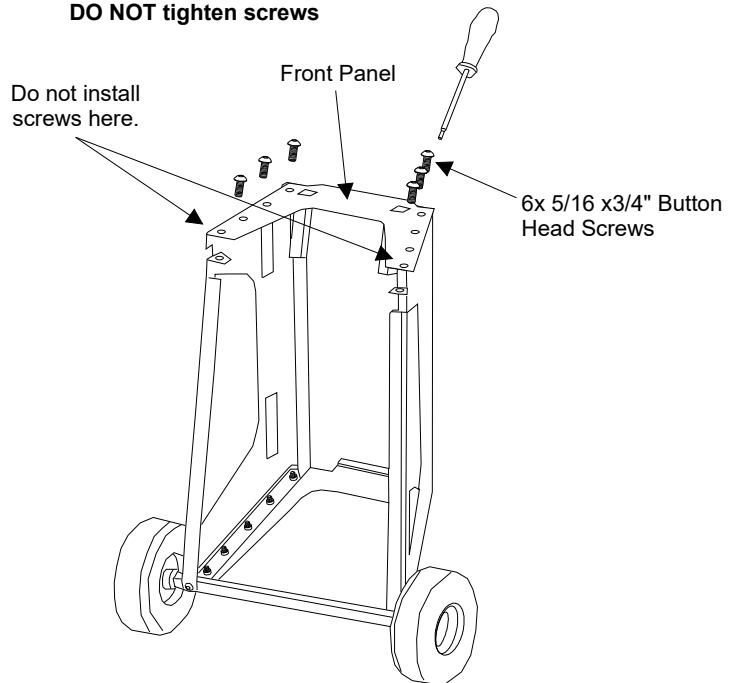
STEP 3

DO NOT tighten screws



STEP 4

DO NOT tighten screws





RS-13011

400-0857-003

PORTABLE STAND FOR HOSE ROLLERS OR RELOADERS.

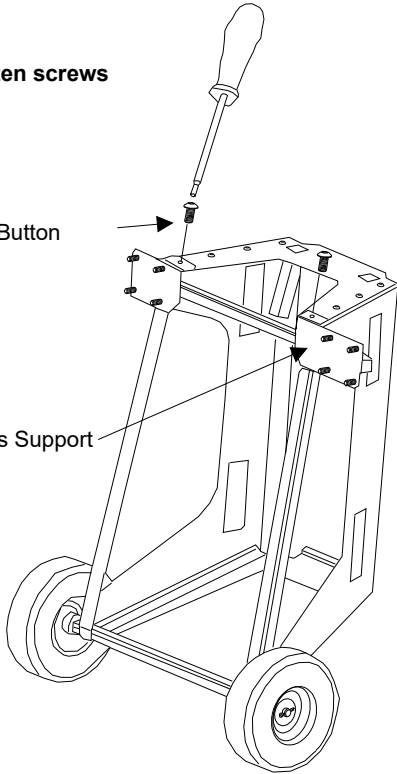
ASSEMBLY INSTRUCTIONS

STEP 4

DO NOT tighten screws

2x 5/16 x3/4" Button Head Screws

Front Wheels Support



STEP 5

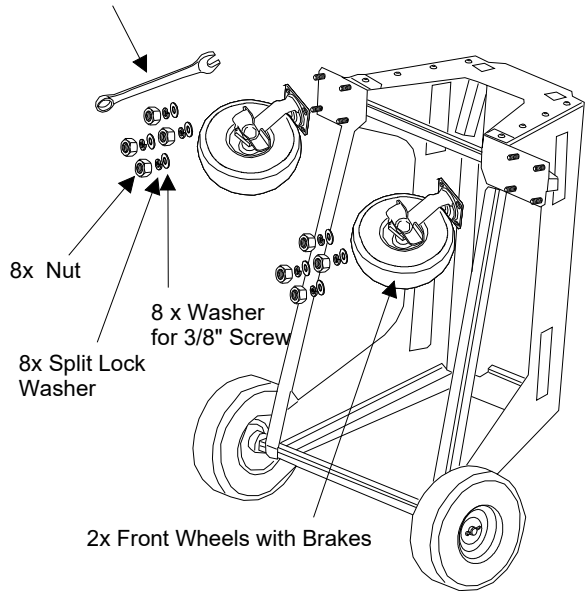
9/16 Wrench

8x Nut

8x Split Lock Washer

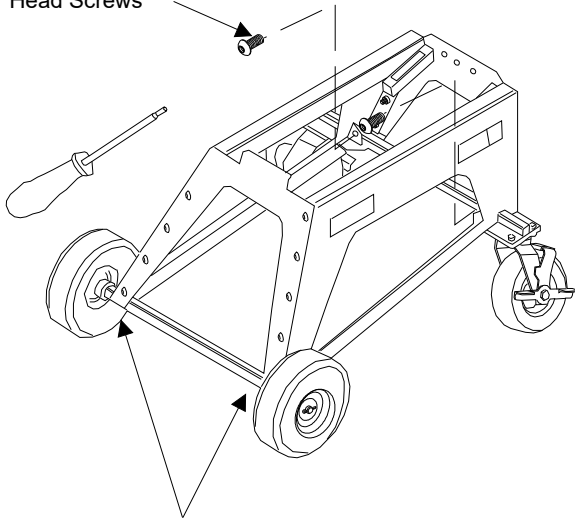
8 x Washer for 3/8" Screw

2x Front Wheels with Brakes



STEP 3

2 x 5/16 x3/4" Button Head Screws



NOTE: Make sure to tighten two screws on the bottom.

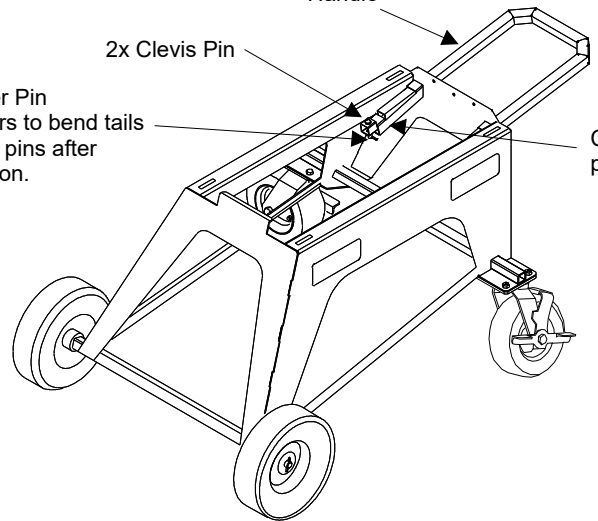
STEP 4

Handle

2x Clevis Pin

2x Cotter Pin
Use pliers to bend tails of cotter pins after installation.

Cutout pointed up.



Tighten ALL Screws



RS-13011

400-0857-003

PORTABLE STAND FOR HOSE ROLLERS OR RELOADERS.

